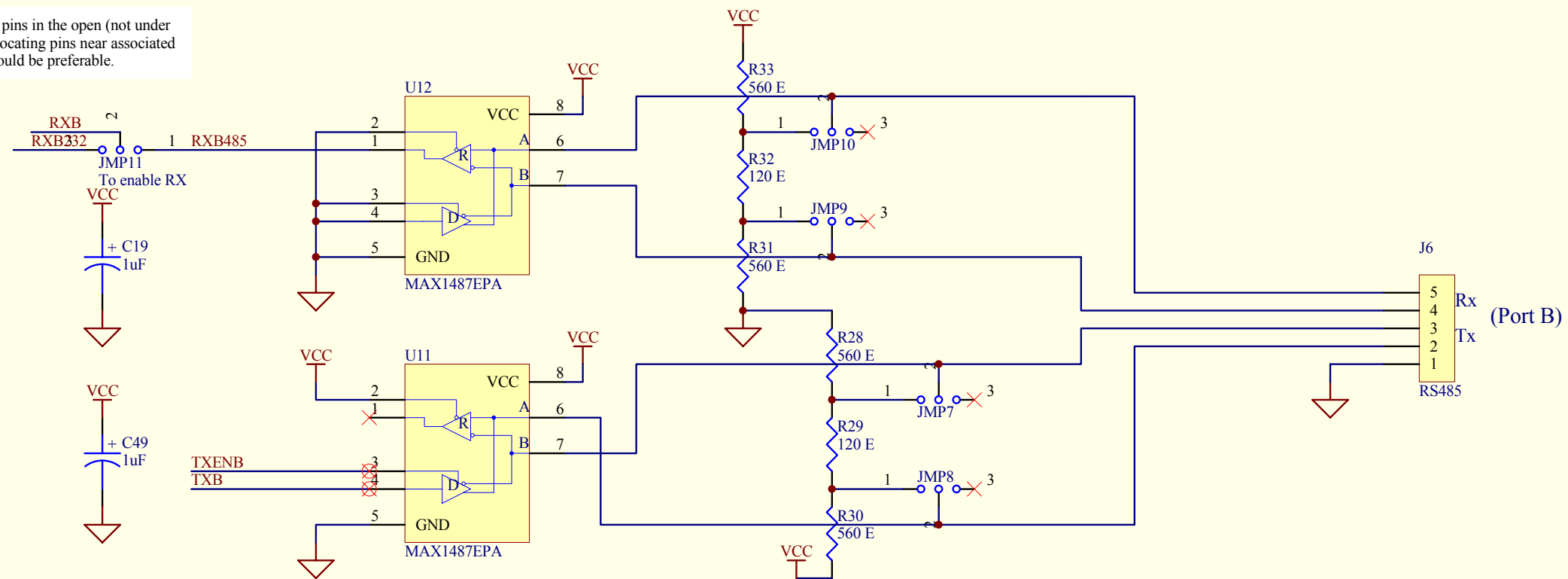


Place jumper pins in the open (not under the CPU). Locating pins near associated connector would be preferable.



Title **RS485 PORTS**

Size: A4    Number: IDI1600    Revision: A  
 Date: 3-Sep-2004    Time: 15:29:35    Sheet 7 of 15  
 File: C:\Clients\IDI\Hardware\IDI\_1600\Rev B\IDI1600DDB\_RevB\_06Jan04.ddb - Documents\IDI1600\_07\_RS485.sch

Intelligent Devices Inc.  
 Suite 212, 2405 Satellite Blvd,  
 Duluth,  
 Georgia  
 30096

**Intelligent Devices, Inc.**